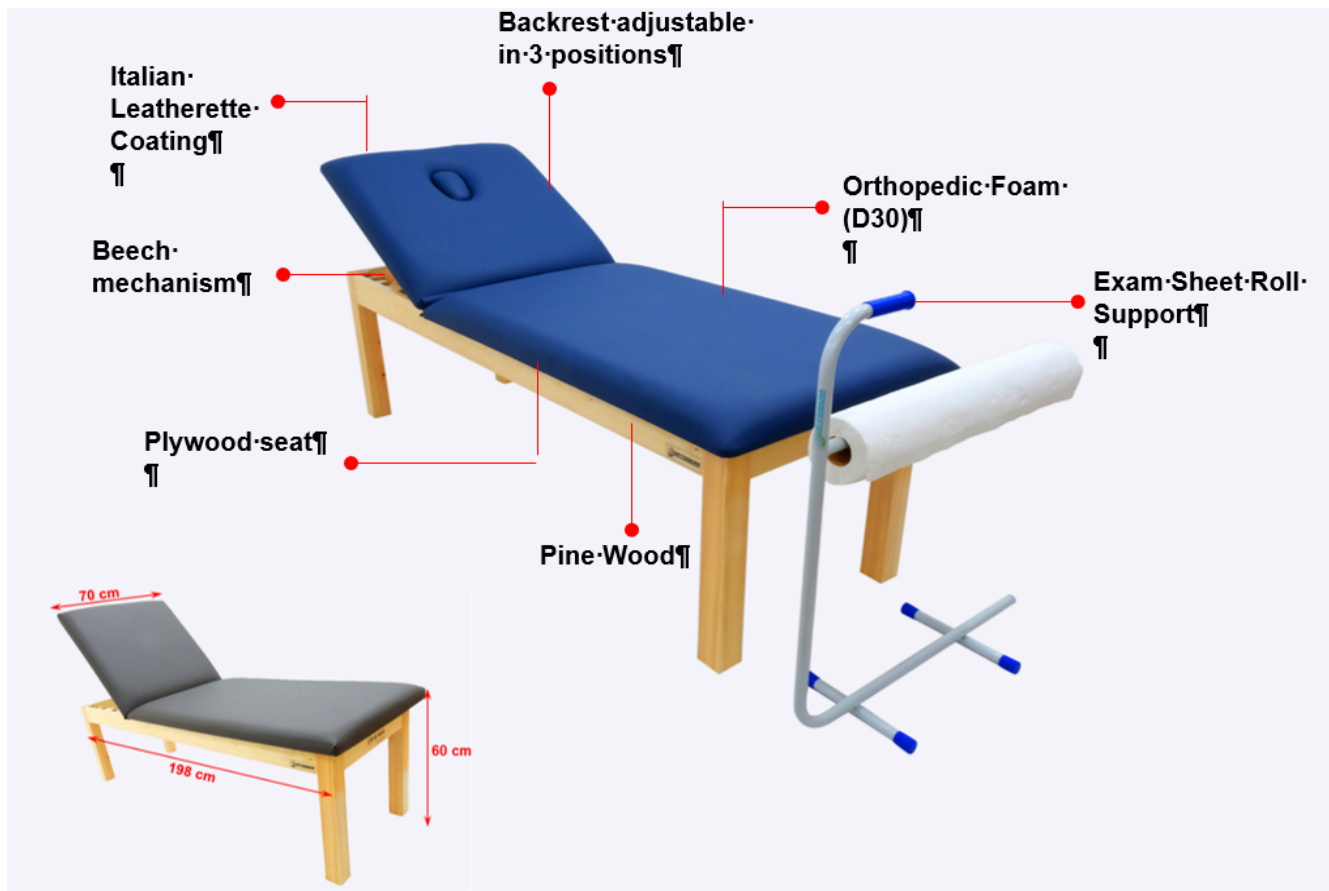


Massage Table

Wooden massage table with straight or adjustable backrest

Robust, elegant, and comfortable thanks to the orthopaedic foam used (D30). This table is made of hardwood with large dimensions (70cm) and a height of 60cm, which provides comfort for physiotherapists during massage, physiotherapy, sports medicine, and various medical and therapeutic practices.

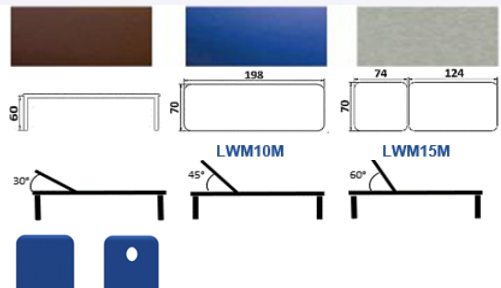


AVAILABLE COLORS

DIMENSIONS

PERMISSIBLE LOAD 170 KG - INCLINATIONS

AVAILABLE VERSIONS



Characteristics:

- Hardwood
- Manual adjustment of the backrest
- Adjustable backrest 3 positions (30°, 45°, 60°)
- Orthopaedic Foam (D30)
- Italian Leatherette

Accessories upon order:

- Exam Sheet Roll Support
- Stool
- Stepladder
- Pillow

Colours:

- Cedar Brown
- Prussian Blue
- Shadow Grey

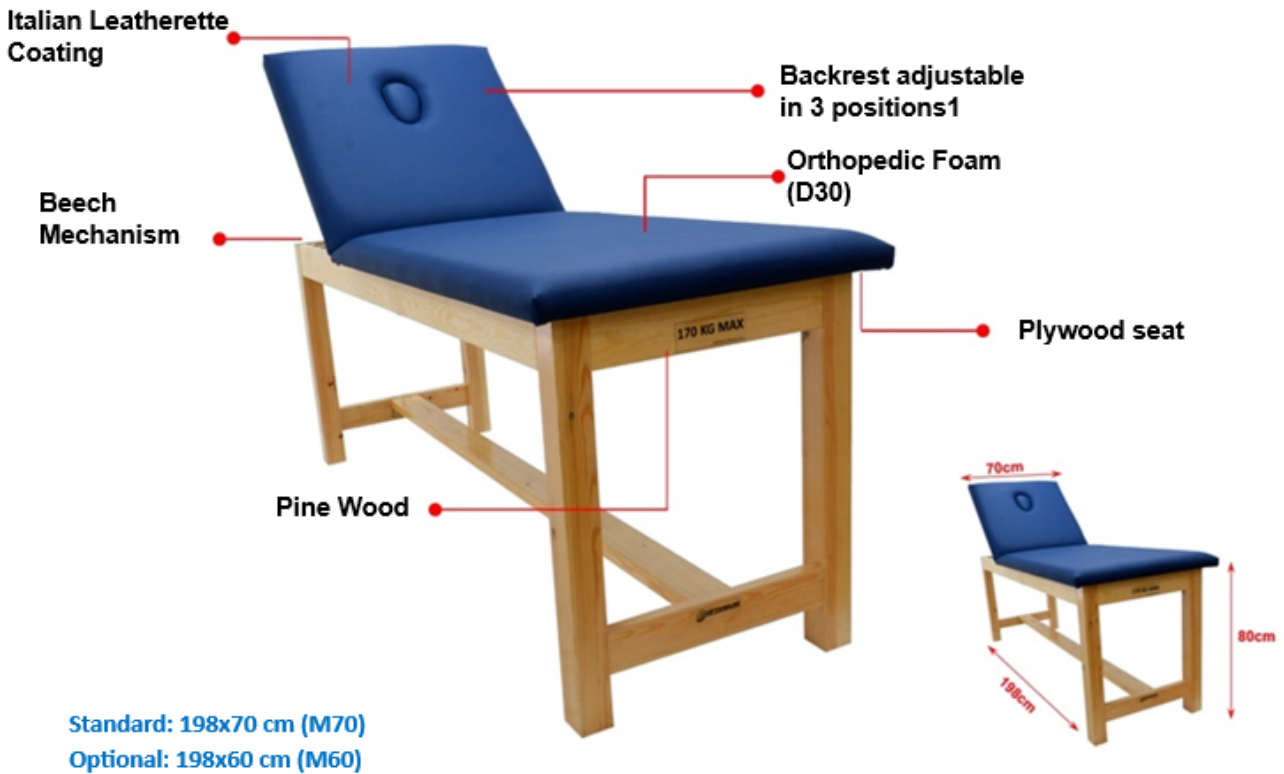
Dimensions:

- LxIxh 198x70x60 cm
- Weight: 29 Kg

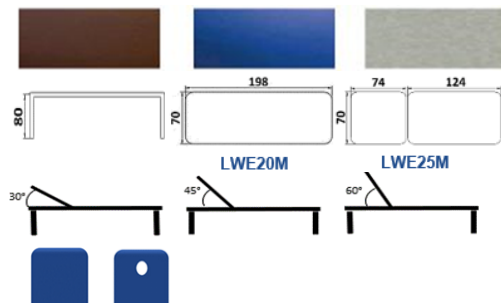
Consultation Table

Consultation Table with straight or adjustable backrest

Elegant, transforms the consultation area into a welcoming and functional environment, meets the needs of healthcare professionals and professional services. Its sturdy hardwood design ensures long durability. The table comes with a touch of aesthetics and a neat design based on professional recommendations.



- AVAILABLE COLORS
- DIMENSIONS
- PERMISSIBLE LOAD 170 KG - INCLINATIONS
- AVAILABLE VERSIONS



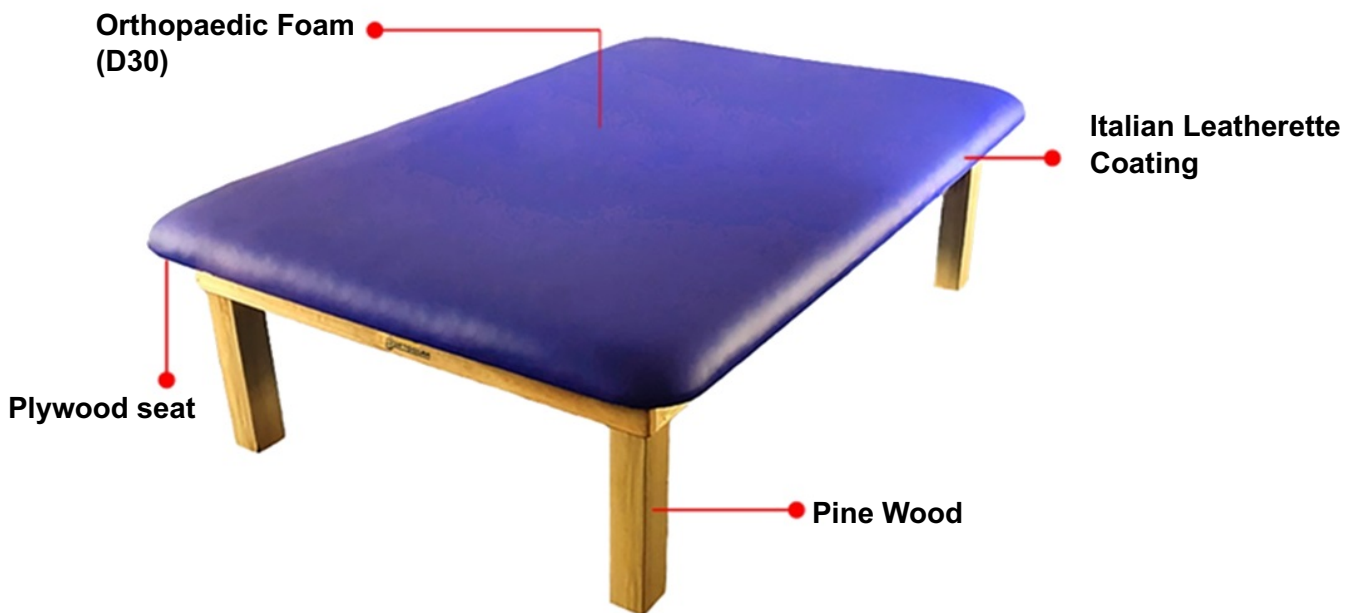
Bobath Table

The Bobath Liftosium table is a good choice of therapeutic equipment.

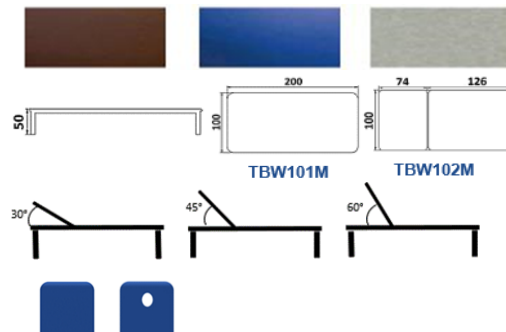
It is made of hardwood, which provides sturdy stability and spacious surface to ensure patient safety during various manipulations, exercises, and treatment techniques.

The Bobath table incorporates high-quality orthopaedic padded materials with soft Italian leatherette to ensure optimal comfort during therapy sessions.

The standard model is in a single plane, the tables in two planes are optional.



- AVAILABLE COLORS
- DIMENSIONS
- PERMISSIBLE LOAD 170 KG - INCLINATIONS
- AVAILABLE VERSIONS



Characteristics:

- Hardwood
- Orthopaedic foam (D30)
- Italian Leatherette

Colors:

- Cedar Brown
- Prussian Blue
- Shadow Grey

Dimensions:

- LxHx 200x100x50 cm

Commode Chair

The COZY chair offers great comfort to the elderly or people with reduced mobility. The chair is equipped with a basin that can be removed by side sliding, which avoids inconveniencing the user too much. By raising the seat, the basin can also be removed from the top, if necessary.

Of adequate dimensions and heights, the chair easily fits over the bowls of standard toilets and for movement in apartments.

The chair has 04 wheels with brakes, combining manoeuvrability, safety, and stability. The backrest is padded with orthopaedic foam, the seat can be lifted for maximum comfort.

The COZY chair is equipped with varnished hardwood armrests, which provide solid support points to help sit down and get up from the chair safely.

The chair can also be equipped with a retaining strap on request in order to secure the user.

COZY REF/ LFZ-CC20WL



Commode Chair X-large

Laventa is a suitable solution to offer comfort and practicality to users who need extra space and extra support. With its spacious design and generous dimensions, this chair offers a seat padded with orthopaedic foam covered with Italian leatherette, comfortable and secure for people of large heights.

The chair is equipped with a basin that can be removed by side sliding which makes it easy to handle. The hardwood armrests and footrest provide optimal support throughout the chair's use, while its sturdy structure and durable construction ensure long-term reliability.

Equipped with 04 wheels with brake, this chair also offers increased mobility, making it easier to move around the apartment and ensuring maximum accessibility.

The chair can also be equipped with a retaining strap on request in order to secure the user.

LAVENTA

REF/ LFZ-CC40L



Stander

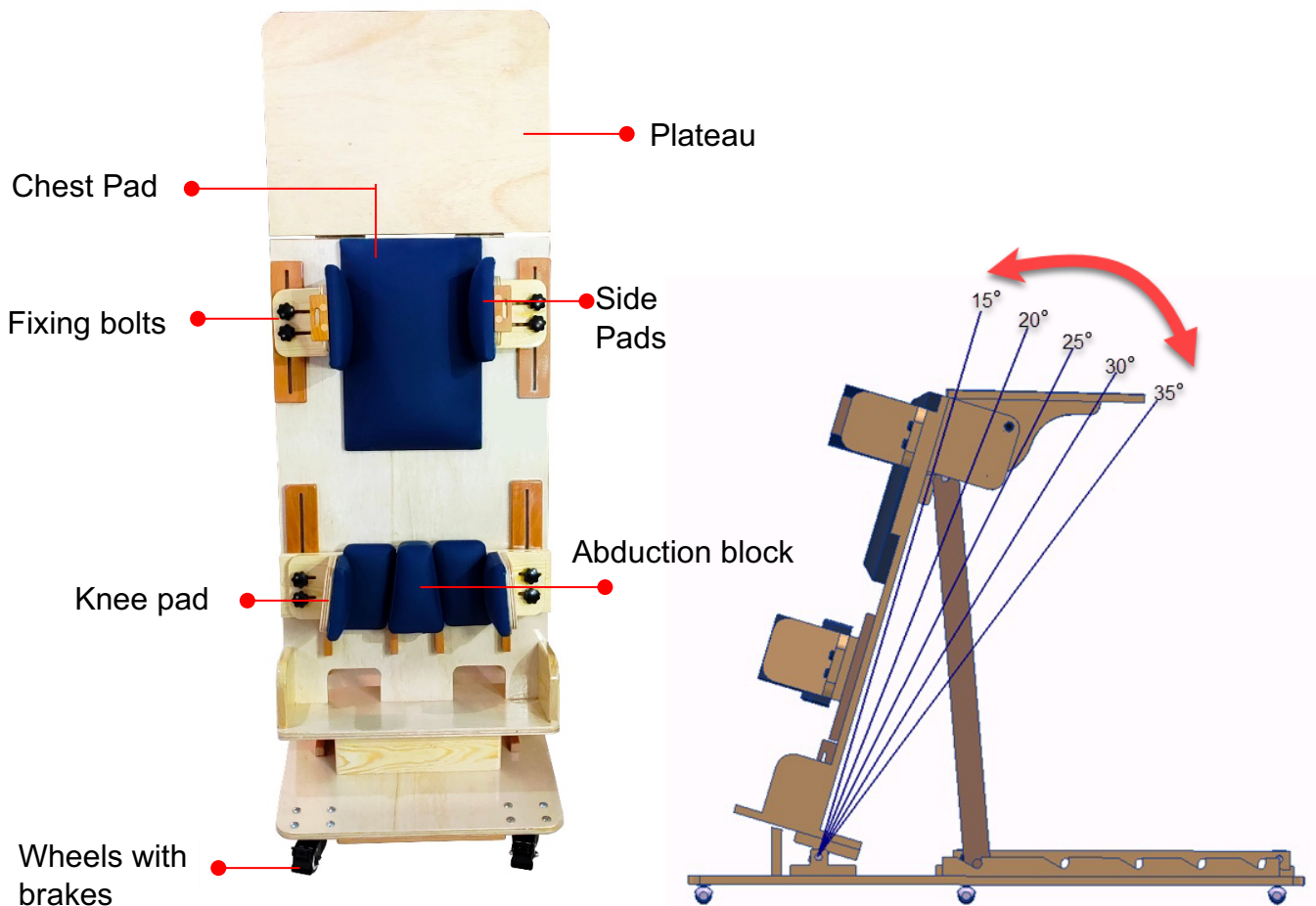
The VERTISIUM Stander was created with the goal of improving the posture digestion, cardio, hip stability and independence of users. It reduces the risk of complications related to immobility such as pressure ulcers, respiratory problems, and circulatory disorders. It is ideal for children aged 10 and up, as well as adults up to 1.60m tall.

Vertisium is used for ventral or dorsal verticalization. Indeed, the user can be placed with the support straps located at the level of the thorax and at the level of the ankles to offer a secure and comfortable standing posture. The tilt is done by tilt devices with five adjustable angles (35°/30°/25°/20°/15°).

The robust hardwood structure is complemented by beech wood sliders and strap supports, guaranteeing exceptional resistance over time. Mobility is provided by six wheels, four of which are equipped with brakes.

The adjustable tabletop, capable of 180° deployment, allows for a variety of standing positions.

User safety is a top priority, Vertisium has stabilizing belts for the chest and ankles, as well as two built-in anti-reverse devices for complete peace of mind for the duration of use.



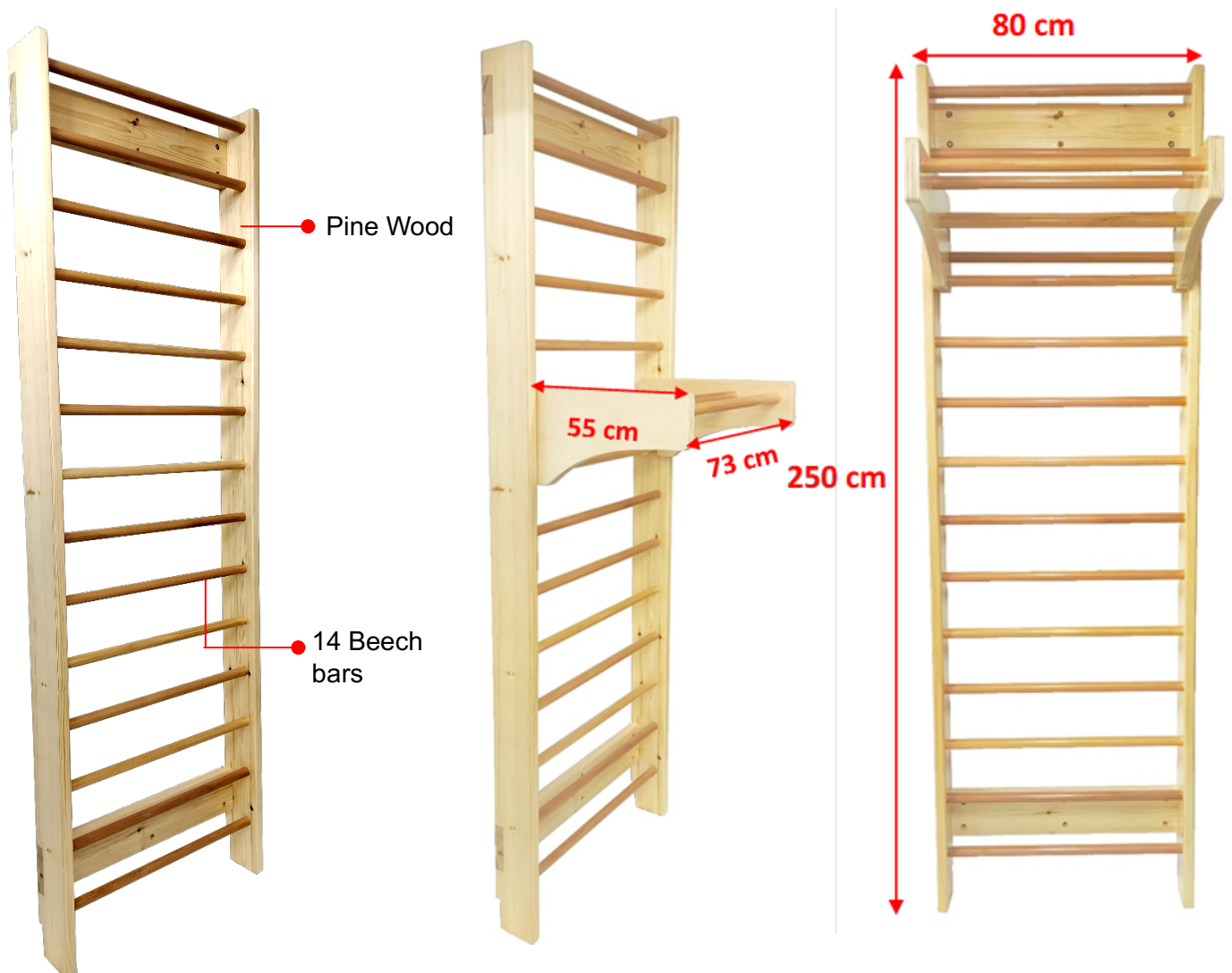


Swedish ladder

Varnished hardwood espalier, with a robust and refined structure designed to meet all your needs in muscle strengthening, stretching, improving coordination, training and physical development. With a height of 2.50 metres and its 14 carefully selected beech bars, this espalier offers exceptional versatility for various exercises. Made with premium hardwood and varnished for a sleek finish, this espalier combines durability and aesthetics.

Pull Up

Pull up for Swedish ladder, robust made of hardwood with a varnished finish, it aims to offer a superior quality solution to meet the needs of physiotherapy practices for functional rehabilitation and gyms for training and physical development. Robust with an elegant, varnished finish equipped with 4 beech bars, ideal for performing many gymnastics, stretching, and muscle strengthening exercises.



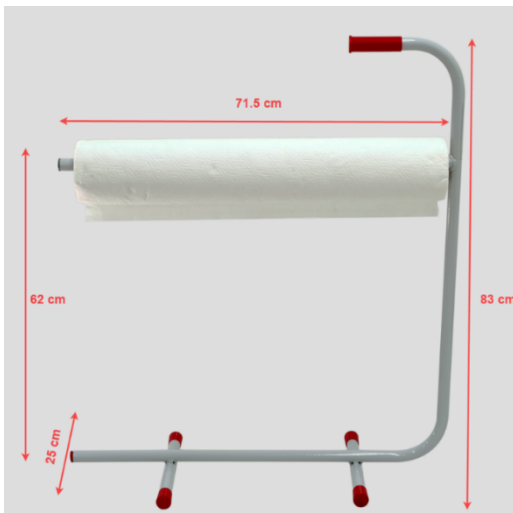
1 or 2 axis balance plates

Hardwood balance plates, multi-purpose tools to improve stability and coordination. Our plates offer a sturdy, non-slip surface for safe exercises. Perfect for physical rehabilitation, fitness or improving athletic performance, these versatile tools help strengthen stabilizing muscles while increasing balance.



Accessories

Exam Sheet Roll Support



Ideal for a good hygiene of your tables, can fit rolls up to 70cm wide.

NB: Roll of paper is not included in the sale but can be procured upon order.

Accessories

Wooden stool with or without wheels

The ergonomic stool is made of hardwood in double tilt, and has 4 wheels, which gives it stability, durability, comfort, and safety.



Sampling Chair

Stylish and comfortable, our wooden sampling chair provides a professional and soothing setting. Carefully crafted from quality wood, it combines robustness and aesthetics. Its ergonomic design ensures optimal patient comfort, while its wood accents add a touch of sophistication to your medical environment.



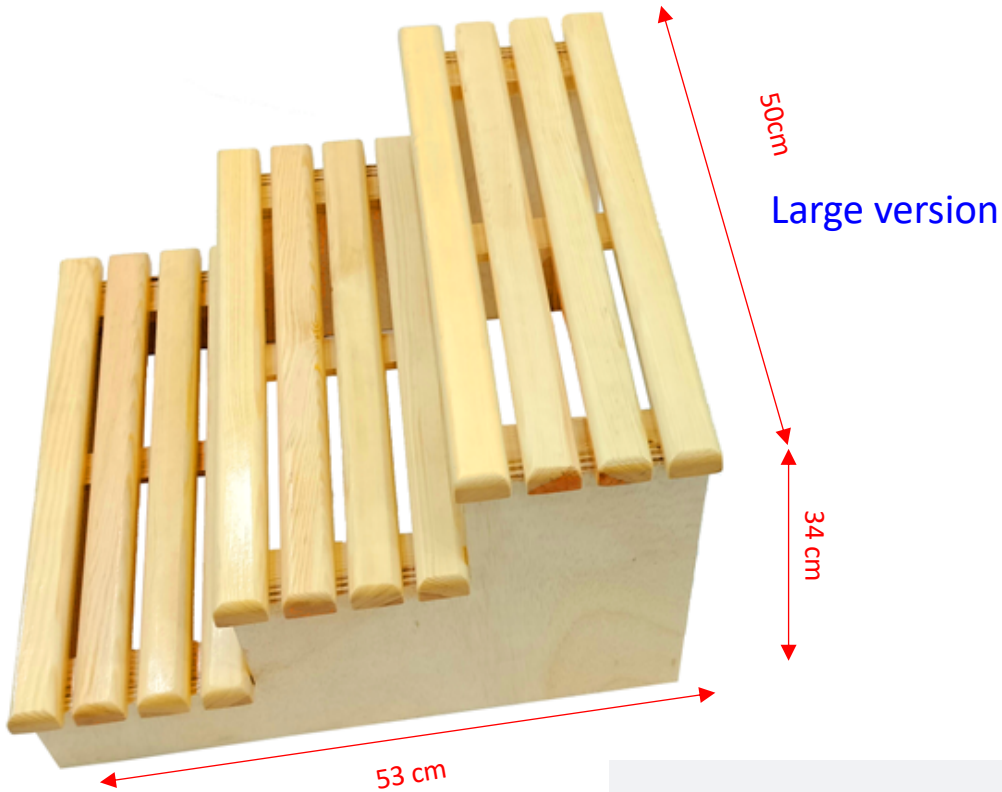
Accessories

Stepladders

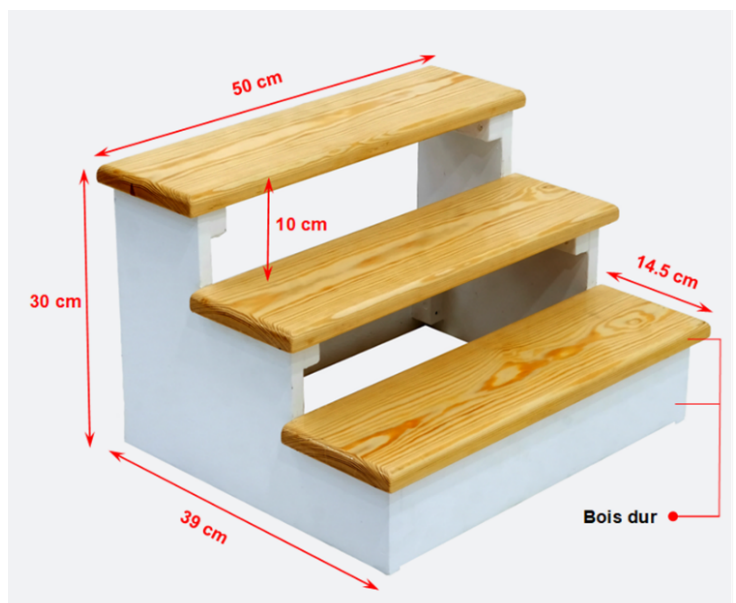
Sturdy, stable, made of hardwood and easy to use. Designed in two versions: for adults or for children (10cm high steps). These stepladders offer a convenient solution for raising and lowering tables with ease, even for the elderly or those suffering from joint pain.

Step ladders can be easily stored under tables, maximizing workspace.

Varnished surfaces allow for quick and easy cleaning and maintenance.



Medium Version



Liftosium invites you to visit our website,
www.liftosium.com

or our showroom

335 Rte De Dar El Alia Bouzaréah-Alger

For more articles and information

